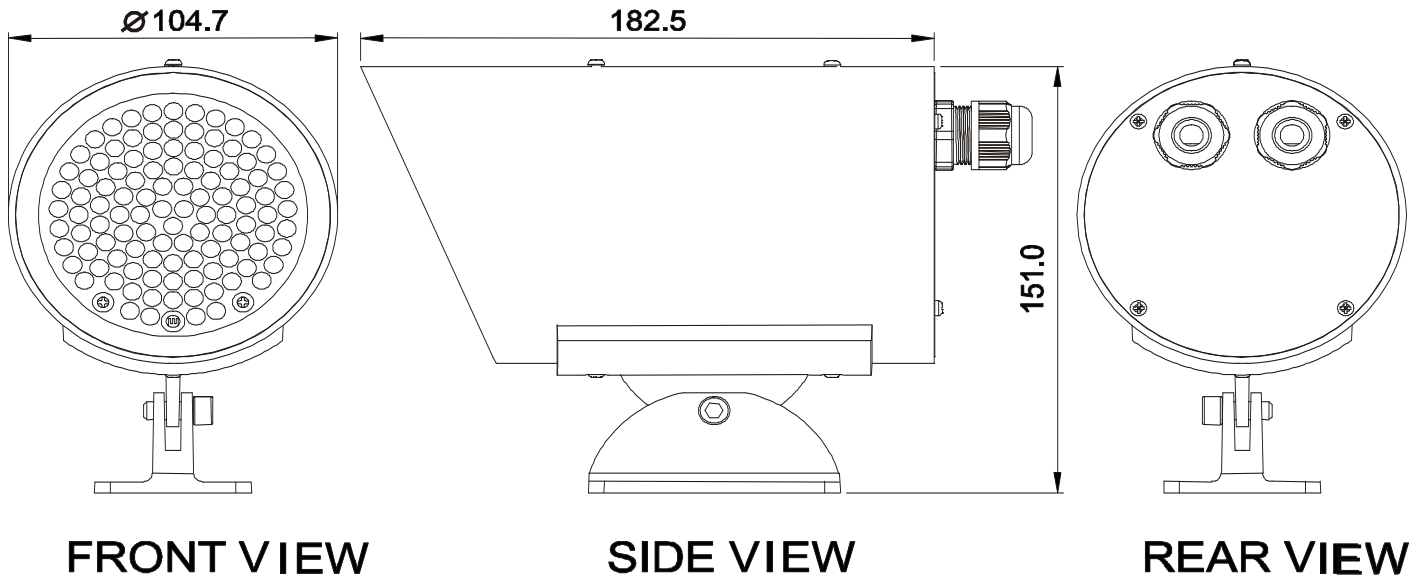


YOKO INFRARED ILLUMINATOR

MODEL: YK-8800



FEATURES

- An illuminant source to assist for cameras in low illumination environment.
- Economical solution, Furnished with mounting bracket.
- Plug & Play. Installs easily and is suitable DIY (Do It by Yourself).
- AC100 ~ 240V, AC24V & DC12V type power request for optional.
- Long life luminary with using special wavelength Infrared LED.
- Built-in environment illumination detection and control circuit that can turn-on/off the infrared illuminant automatically.
- Waterproofing criterion: IP66.

SPECIFICATIONS (Note: Design and specifications are subject to change without prior notice.)

| | |
|---------------------------------|--|
| Infrared Luminary | 98 pieces IR LED, Life: 6000 Hrs. |
| Wavelength | 850 nm. |
| Beam Spread Angle | 18° |
| Illuminate Distance | 30 M |
| Illuminator Active Limit | Under 10 Lux. (linear control.) |
| Power consumption | 21 Watt Max. |
| Power Supply | AC100-240V \pm 10% 47-63Hz / 30W typical. AC24 \pm 10% 60Hz / 18W typical. 12V DC \pm 10 % / 1.5 A typical. (total Power supply require for CCD Camera & IR-LED ON) |
| Operating Temp. | -10°C to 50°C (14°F to 122°F) |
| Waterproofing criterion | IP 66 |
| Dimensions | $\varnothing 104.7$ mm x 182.5 mm |